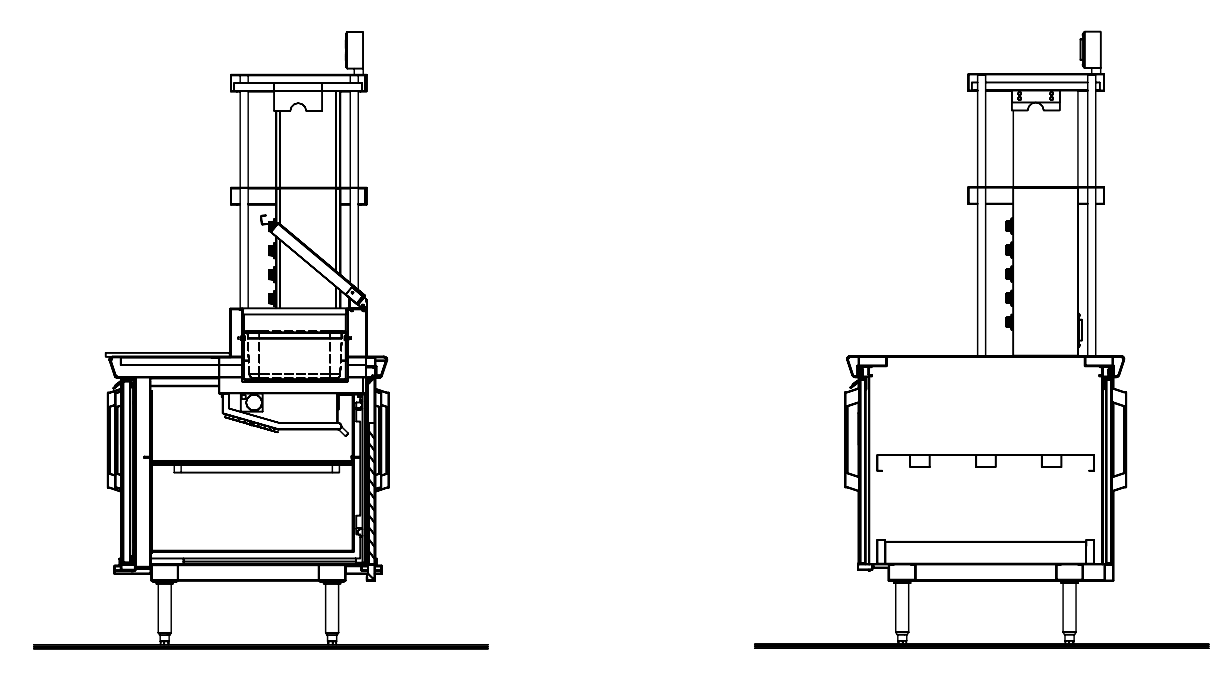
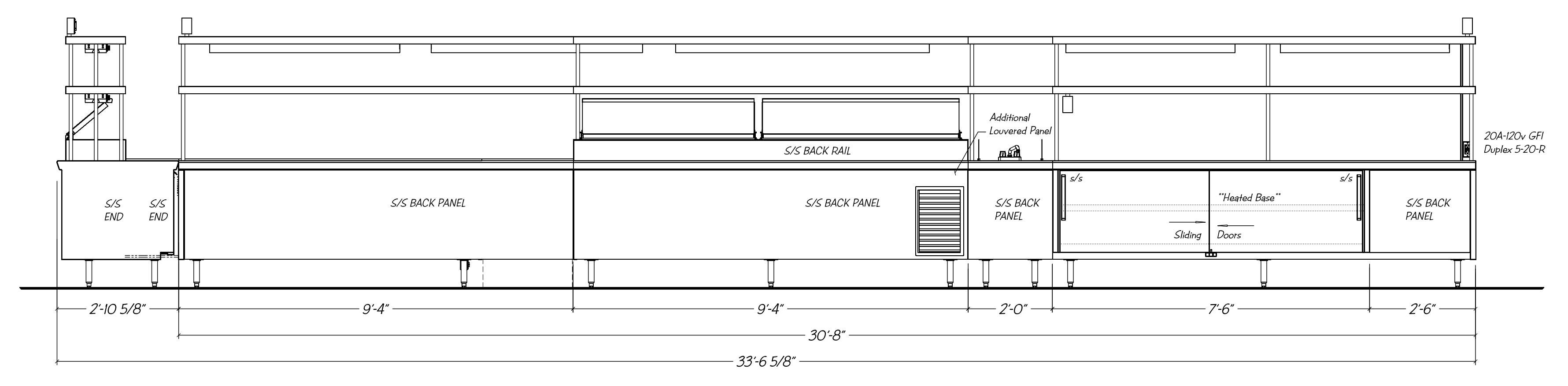


MECHANICAL LEGEND	
	Condensing Unit and cond plug (D-5-D) 12" AFF.
	Junction Box 22" AFF. for warmers hand-wired to controls.
	1 1/2" NPS sink drain.
	Water supply 1/2" NPS Male inlet w/ 1/4" NPS connection 34" AFF.

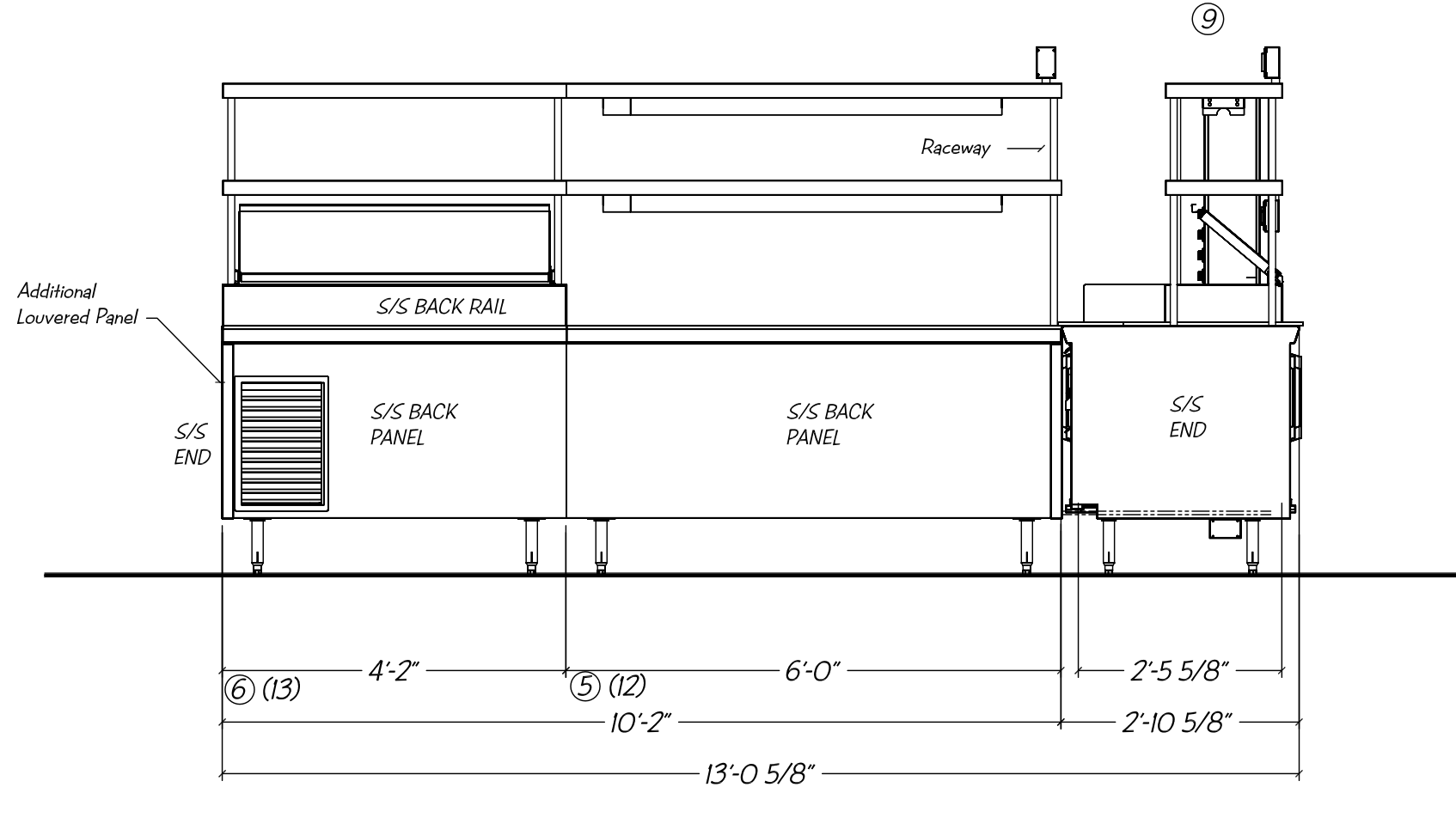
APPROVED FOR FABRICATION	
<input type="checkbox"/>	APPROVED
<input type="checkbox"/>	APPROVED AS NOTED
<input type="checkbox"/>	RESUBMIT
COMPANY:	DATE:



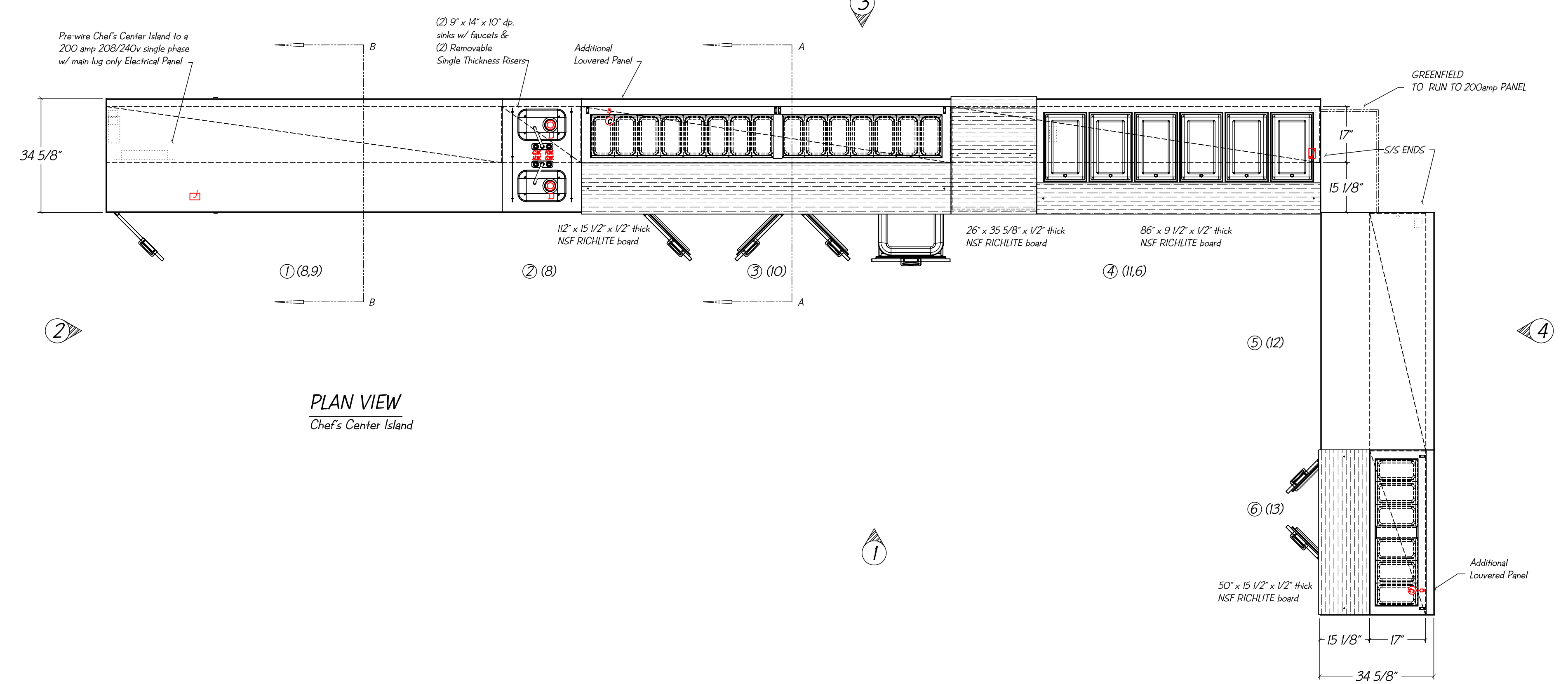
SECTION A-A Item 4 (10)
SECTION B-B Item 1 (3)



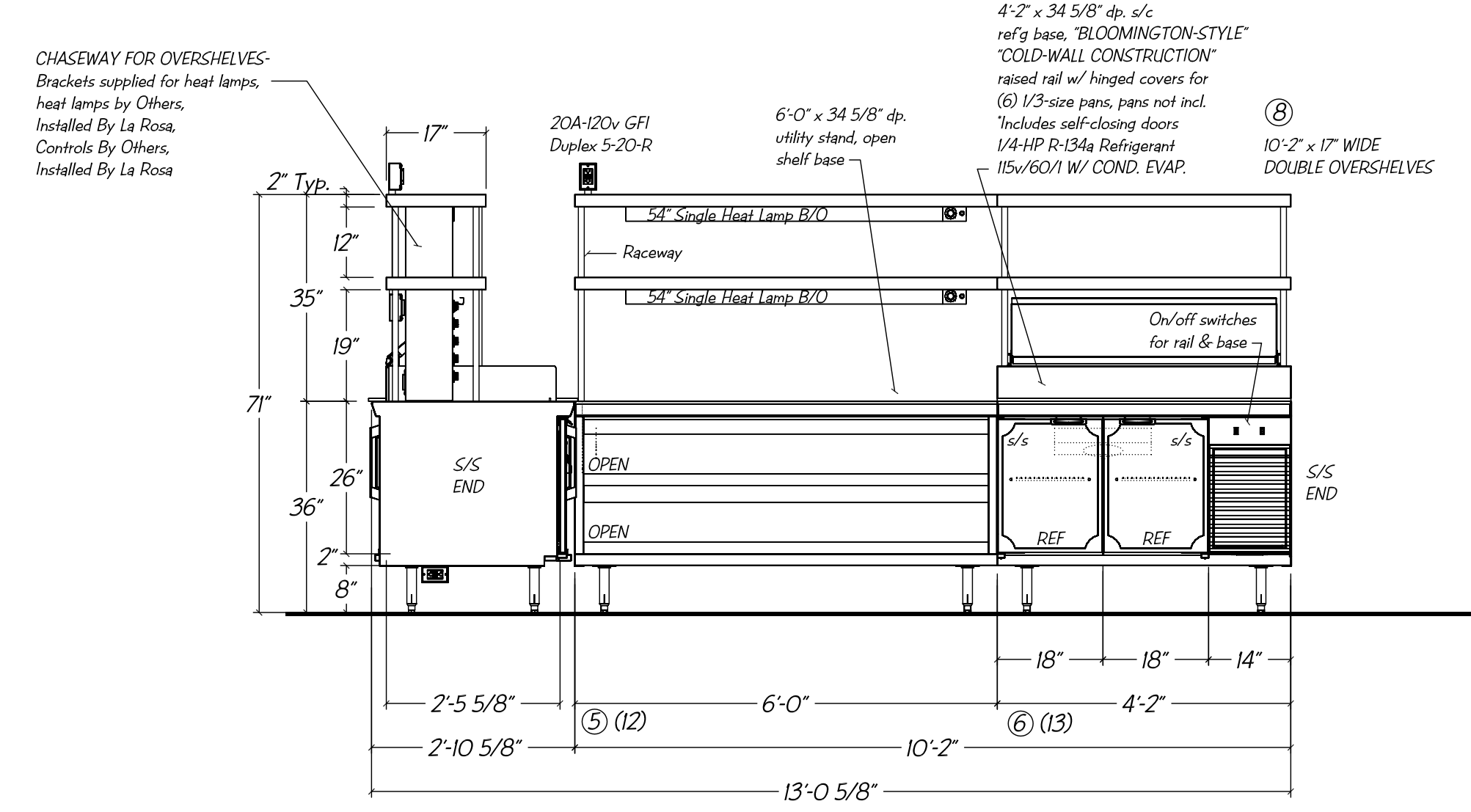
ELEVATION 3
Chef's Center Island



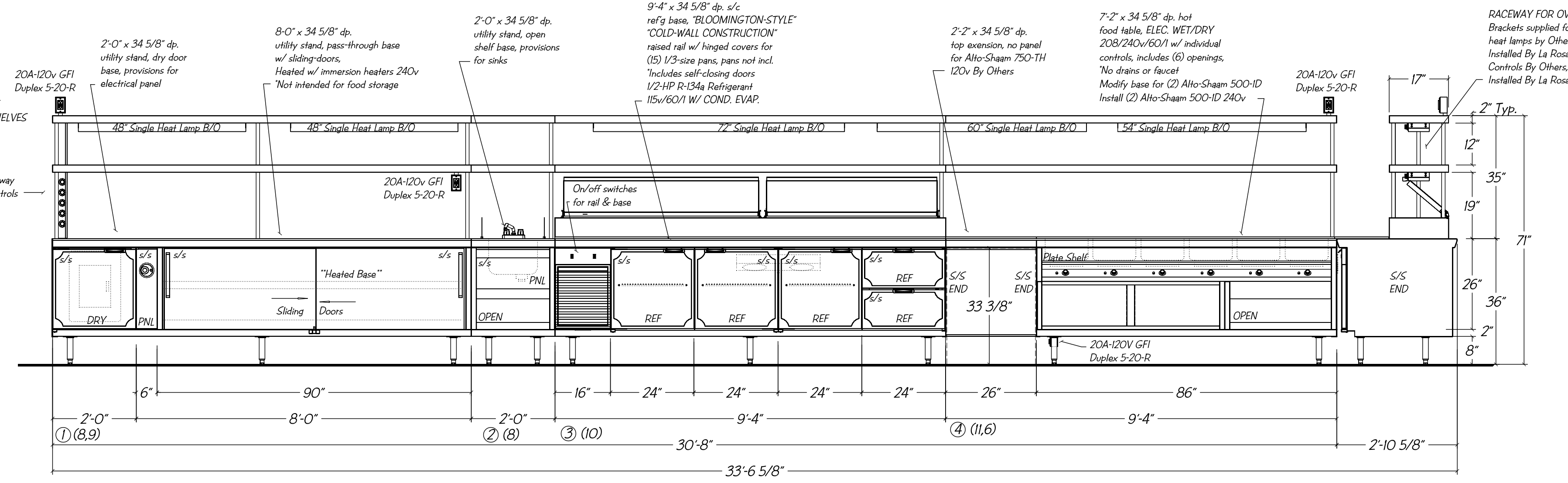
ELEVATION 4
Chef's Center Island



PLAN VIEW
Chef's Center Island



ELEVATION 2
Chef's Center Island



ELEVATION 1
Chef's Center Island



ADDRESS: 19191 Filer - Detroit, MI 48234
PHONE: 800-527-6723 OR (313) 368-6620
FAX: (313) 368-1317
WEBSITE: www.larosaequip.com
E-MAIL: lrosae@larosaequip.com

JOB: RESTAURANT
CUSTOMER: DEALER

SHEET OF 1 2
DATE: 01-01-0001
REV: x
DRAWN BY: D.G.
REV: x

SCALE: 1/2" = 1'-0"
DRAWING # 01E001-1