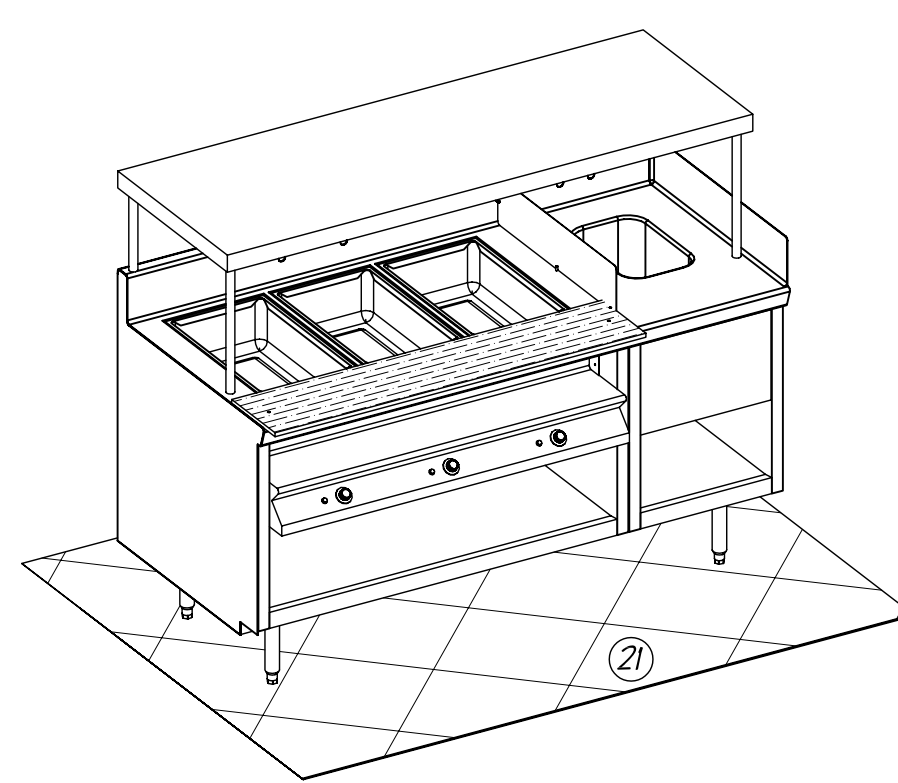
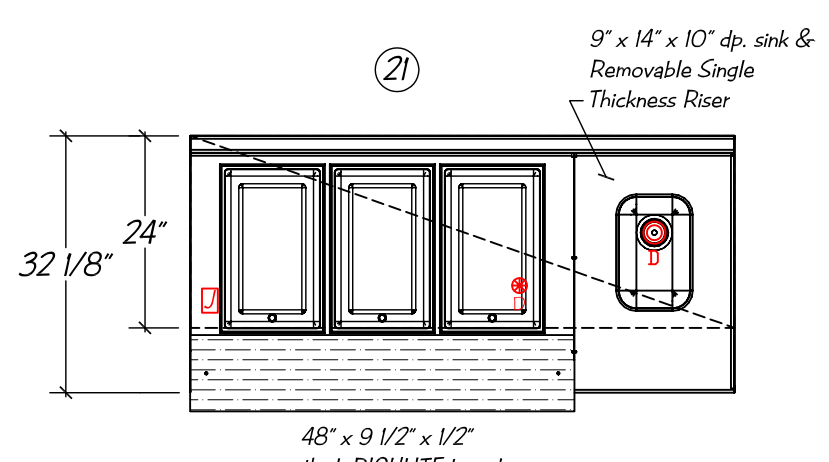
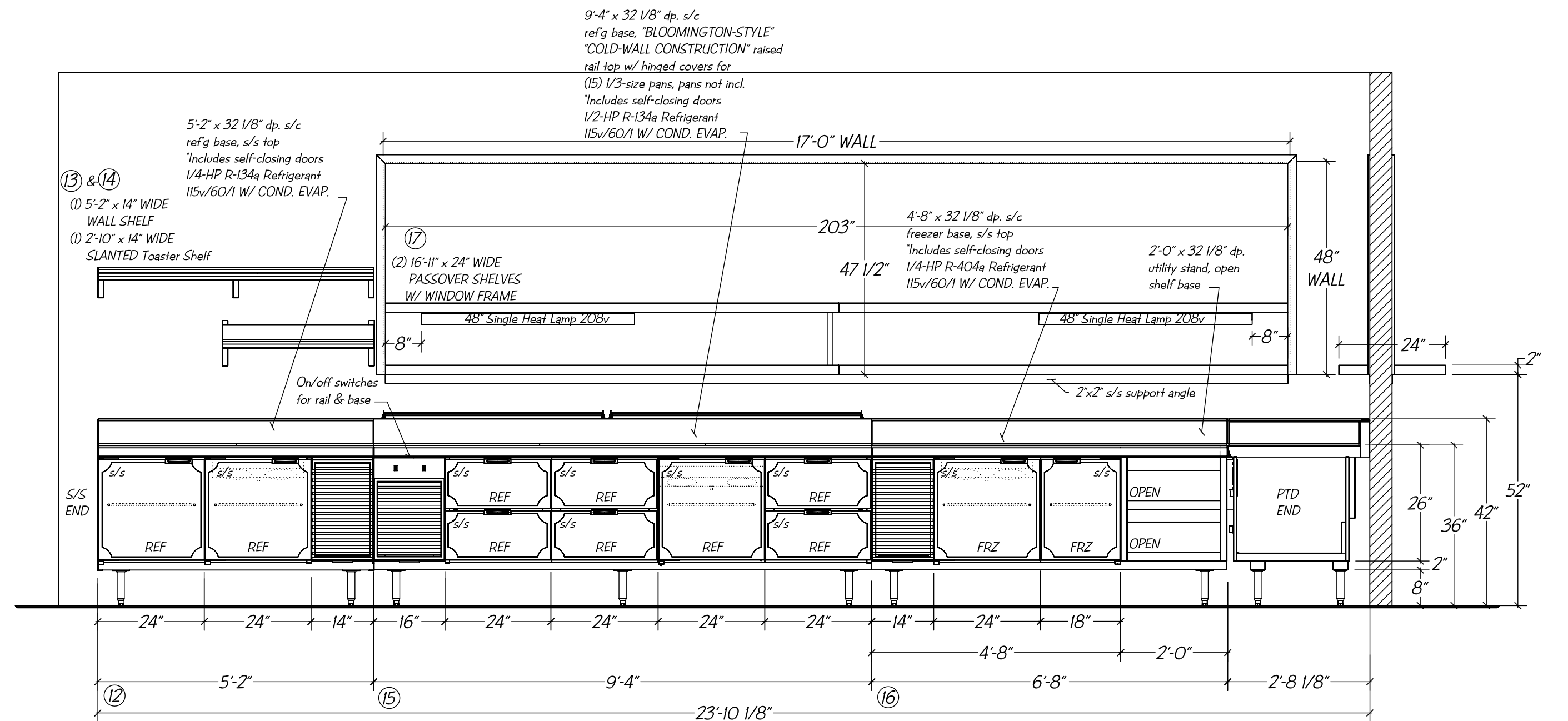
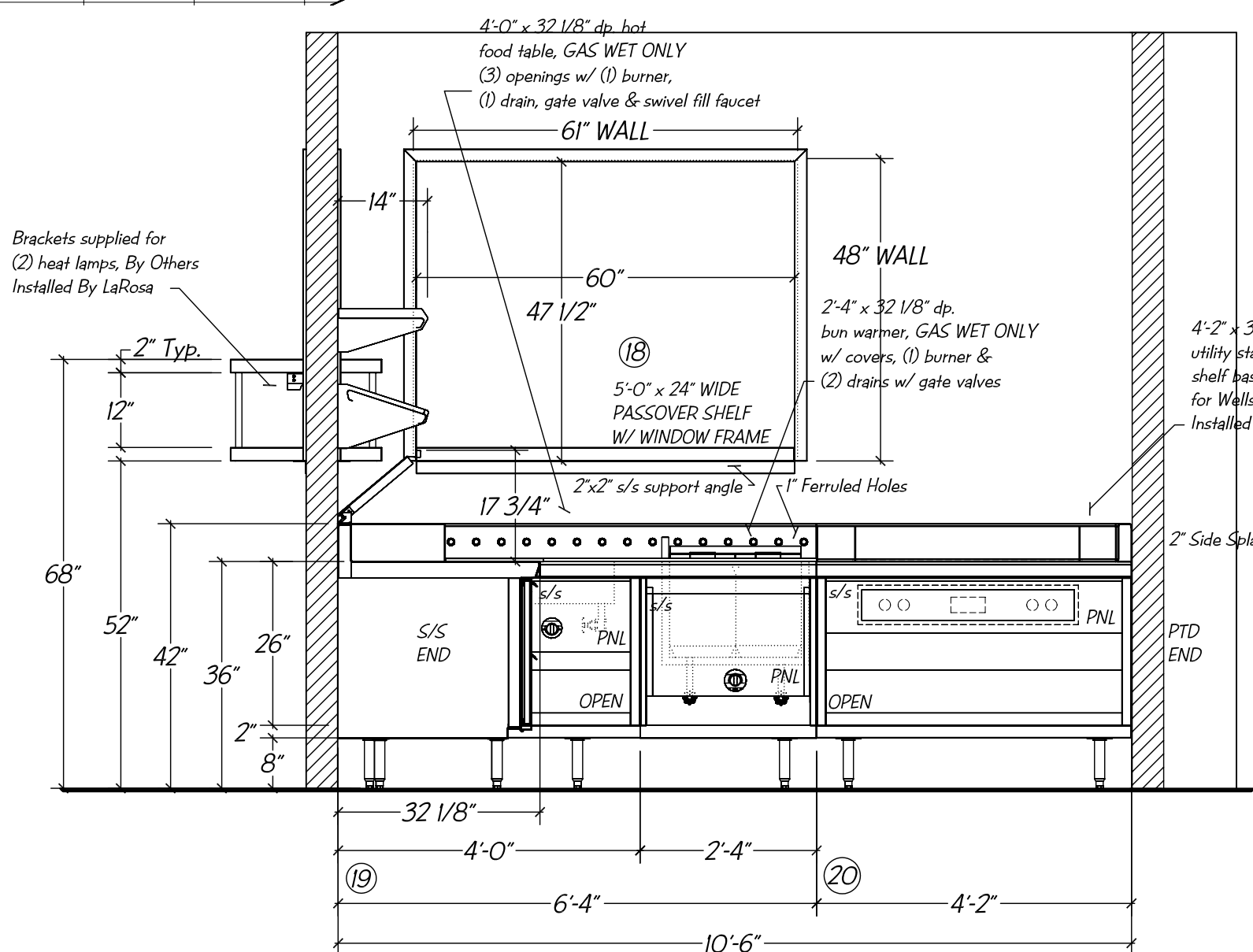


SECTION A-A



APPROVED FOR FABRICATION

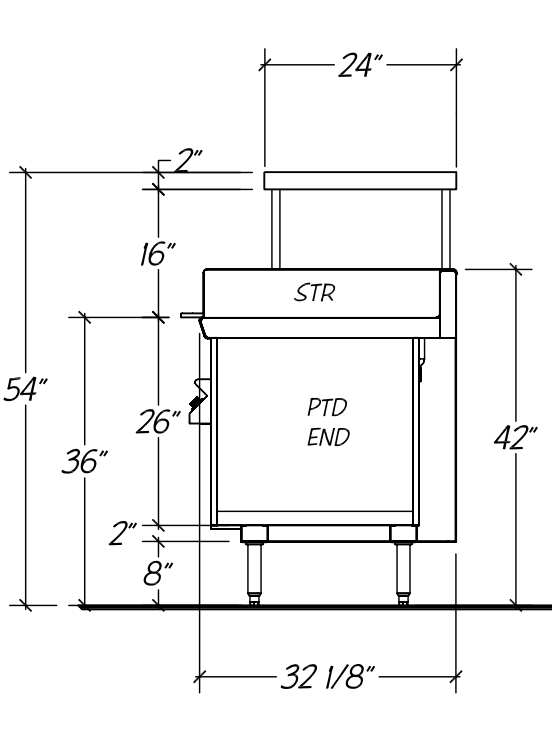
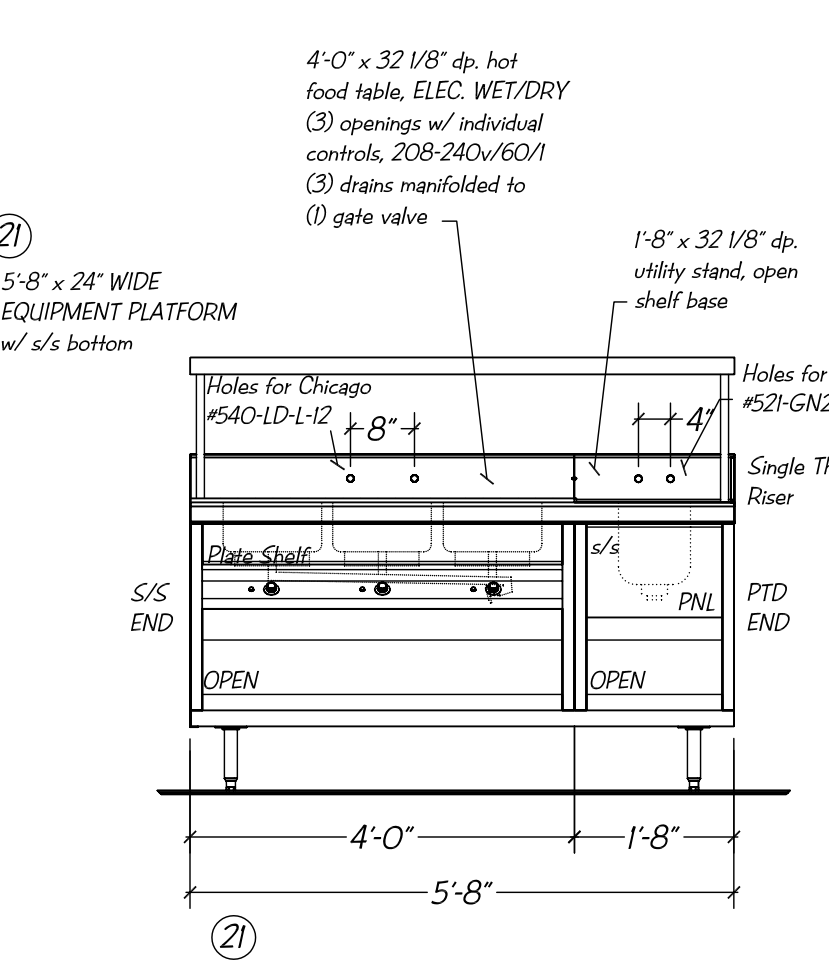
APPROVED

APPROVED AS NOTED

RESUBMIT

COMPANY: \_\_\_\_\_ DATE: \_\_\_\_\_

MECHANICAL LEGEND	
	Junction Box 22' A.F.F. for warmers hardwired to warmers
	Condensing Unit and cond. and plug (5-5-P) 12' A.F.F.
	1 1/2" NPS sink drain
	3/4" copper drain FPT w/ gate valve
	Gas Connection 1/2" FPT 22' A.F.F. 22,000 BTUs
	Water supply 1/2" NPS Male end w/ 1/4" NPT connection 34' A.F.F.



JOB: CUSTOM CONEY ISLAND  
CUSTOMER: DEALER

SHEET 2 OF 2  
DATE: 01-01-0001  
REV: x  
REV: x  
REV: x

DRAWN BY: *D.G.*

SCALE: 1/2" = 1'-0"  
DRAWING # 01E002-1