

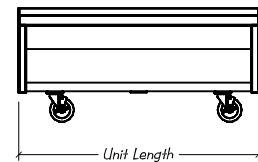
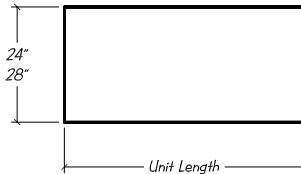
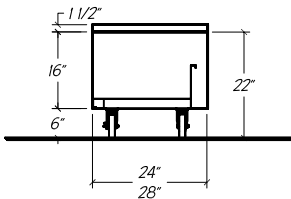
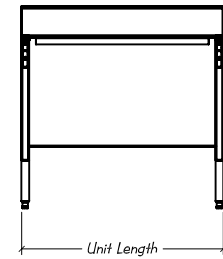
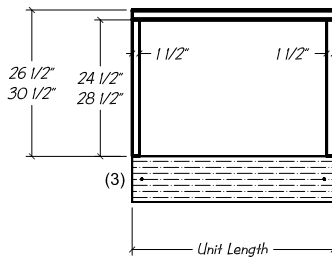
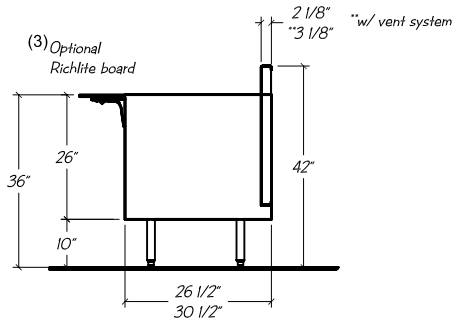
Equipment Stands

Modular Equipment 72000 Series Equipment Stands, Double Enclosure Base -



L-72172
Shown with options

| Model | Length ⁽²⁾⁽ⁱⁱⁱ⁾ | Depth | Ship Wt. (lbs.) | List Price | |
|---------|----------------------------|--------------------|-----------------|------------|---------|
| | | | | 26 1/2" | 30 1/2" |
| L-72142 | 42" | 26 1/2" or 30 1/2" | 180 | \$1629 | \$1653 |
| L-72154 | 54" | 26 1/2" or 30 1/2" | 210 | \$1853 | \$1883 |
| L-72166 | 66" | 26 1/2" or 30 1/2" | 235 | \$2077 | \$2112 |
| L-72178 | 78" | 26 1/2" or 30 1/2" | 265 | \$2333 | \$2374 |
| L-72190 | 90" | 26 1/2" or 30 1/2" | 305 | \$2699 | \$2742 |
| L-72102 | 102" | 26 1/2" or 30 1/2" | 335 | \$3066 | \$3111 |
| L-72114 | 114" | 26 1/2" or 30 1/2" | 360 | \$3291 | \$3352 |
| L-72120 | 120" | 26 1/2" or 30 1/2" | 375 | \$3409 | \$3470 |



Modular Equipment 73000 Series Equipment Stands, Portable Base -



L-73150
Shown with options

| Model | Length ⁽²⁾ | Depth | Ship Wt. (lbs.) | List Price | |
|---------|-----------------------|------------|-----------------|------------|--------|
| | | | | 24" | 28" |
| L-73138 | 38" | 24" or 28" | 175 | \$2090 | \$2161 |
| L-73150 | 50" | 24" or 28" | 225 | \$2451 | \$2522 |
| L-73162 | 62" | 24" or 28" | 275 | \$3096 | \$3178 |
| L-73174 | 74" | 24" or 28" | 325 | \$3576 | \$3657 |
| L-73186 | 86" | 24" or 28" | 350 | \$4312 | \$4403 |
| L-73198 | 98" | 24" or 28" | 380 | \$4891 | \$4916 |
| L-73110 | 110" | 24" or 28" | 430 | \$5480 | \$5579 |
| L-73116 | 116" | 24" or 28" | 455 | \$5765 | \$5866 |

- Options:**
- For stainless steel finished ends add \$303 per end
 - Units available in intermediate length, use price of longer model
 - For Richlite cutting board add \$153 per linear foot

- Notes:**
- Above units NOT available in combination with others under one single top
 - Always specify depth, make, and model of cooking equipment to be used
 - Allow 4 inches for equipment clearance and side thickness
 - See accessories section for additional information
 - All above units class 150