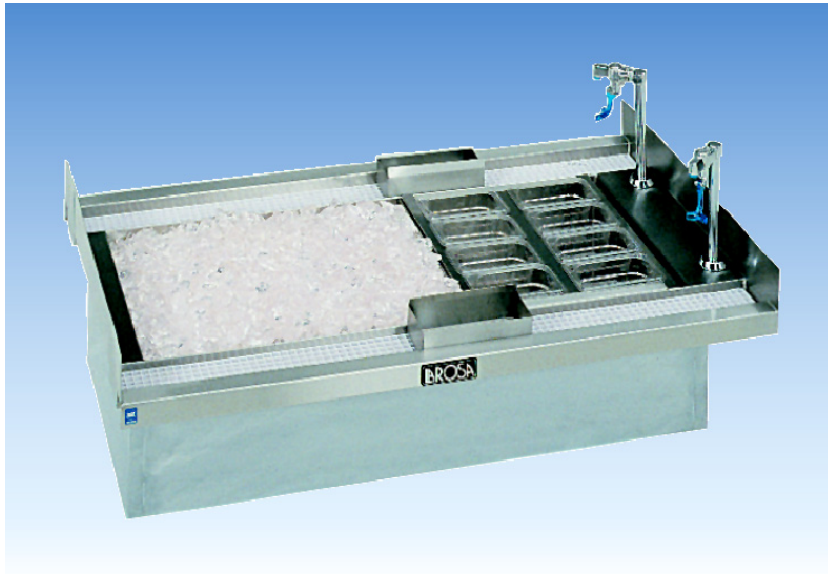


# Cocktail Station - Drop In 5500 Series

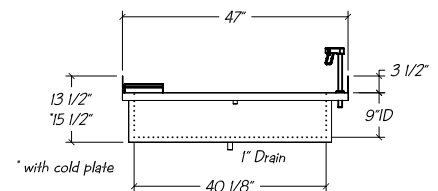
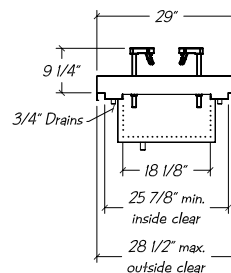
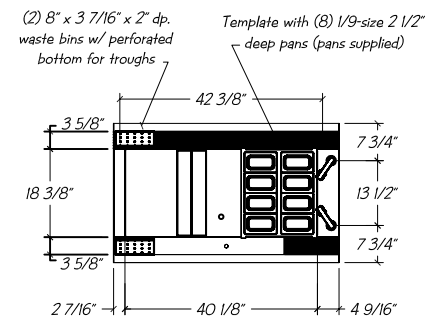
## Production Equipment 5500 Series Cocktail Station, Drop In -



Model	Length	Ship Wt. (lbs.)	Freight Class	List Price
5534	34"	140	85	\$2587
5547	47"	162	85	\$2871
5559	59"	184	85	\$3175
5571	71"	190	85	\$3468

### Specifications :

- Top : Top to be one-piece 18 GA stainless steel, 3 1/2" turn-up on each end
- Ice Bin : Foamed in place insulation with 1" MPT drain, removable ice bin partition includes (8) 1/9-size pans (2 1/2" deep)
- Fill Faucets : (2) Glass Fillers
- Troughs : Full-length trough with removable grate and perforated waste container along each side, each trough has 3/4" drain
- Exterior : Exterior body to be corrosion resistant steel



Notes: i. Optional Ice cooled built-in Cold Plate add \$1912