



# Production Equipment 2000-BMT

Maple Top - Bakers Table Only

Self-contained



2067-BMT



2093-BMT

## OPTIONS

**Removable Bun Pan Racks**  
In place of (2) shelves per door



**Refrigerated Drawers**  
Three drawers replace 1 door with (2) 12x20x4 polycarbonate pans per drawer

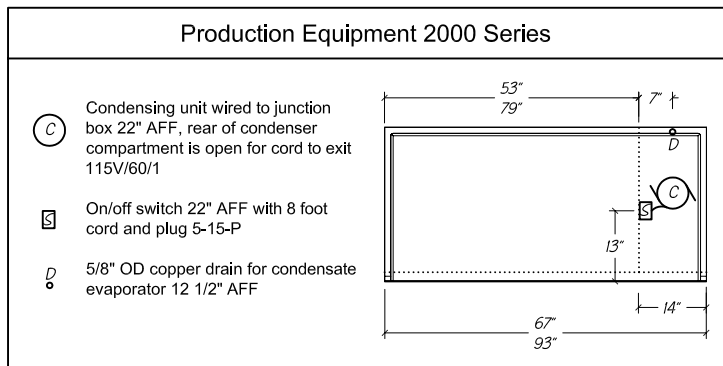


(1) set available on 2067 (left door)  
(2) sets available on 2093 (ends only)

## STATISTICAL DATA

MODEL	LGTH	SHELVES PER UNIT	CONDENSING UNIT	VOLTS/ CYCLE/ PHASE	TOTAL AMPS	NEMA PLUG	SHIP WT.
2067-BMT	67"	4	1/4-HP R-134A	115v/60/1	8.38	5-15-P	470#
2093-BMT	93"	6	1/3-HP R-134A	115v/60/1	10.78	5-15-P	690#

## MECHANICAL DATA



## SECTION VIEW

